

EE Digital Electronics:

Date:	16.10.2013
Author:	J. Hoffmann
Title:	VETAR2, preliminary specification

VETAR2 is a VME interface board, based on Altera Arria GXII FPGA.

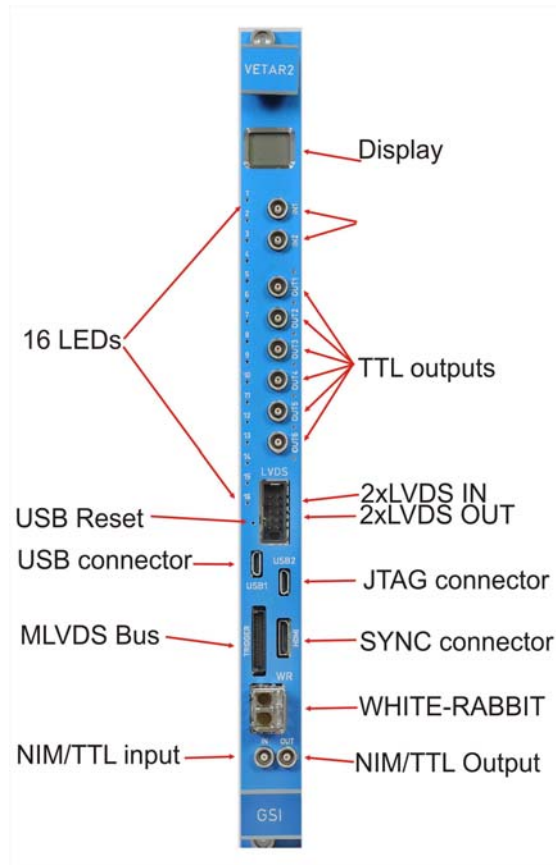
Board features:

- ALTERA Aria GX II FPGA with 124K LEs, (EP2AGX125EF29C).
- SFP connector and cage for White-Rabbit interfacing.
- Two board-to-board connectors.
- 3 x Clock Oscillators 100 MHz, 2 x 125 MHz.
- White-Rabbit (WR) interface connector.
- Trigger connector (8 differential MLVDS).
- USB Interface¹ (USB micro connector).
- JTAG Interface (micro USB connector), auxiliary connector.
- SPI Flash Memory 128 Mb.
- Two LEMO connectors.
- Two one-wire ROMs/EEPROMs.
- 16 x user LEDs¹.
- LCD Graphic Display connector¹.
- Two logic analyzer connector (16 channels)¹.
- Two Rotary Switches for VME address offset.
- User Push Button¹.
- Power status LEDs.

¹ For debug purposes.



Figure 1. VETAR1 main components.



Picture 1. Photograph of VETAR1 front panel.

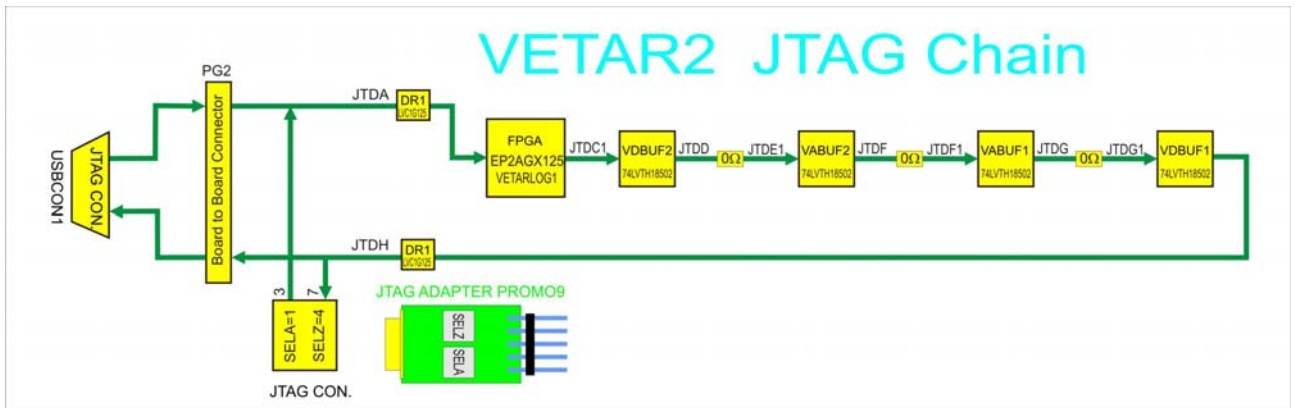


Figure 2. Diagram of VETAR1 JTAG chain.

Specification Add - On Board

- micro-USB (USB2) to be used as front panel JTAG connector.
- 2 Lemo inputs, single ended, supports TTL and NIM levels.
- 6 Lemo output, single ended, supports TTL level.
- 16 pin connector for LVDS signals, 2 pairs input, 2 pairs output.
- Samtec MHDMM mini connector (for experiment time stamp).
- 7 x LEDs